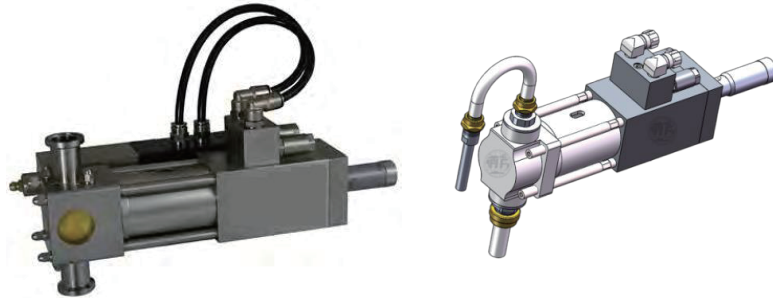
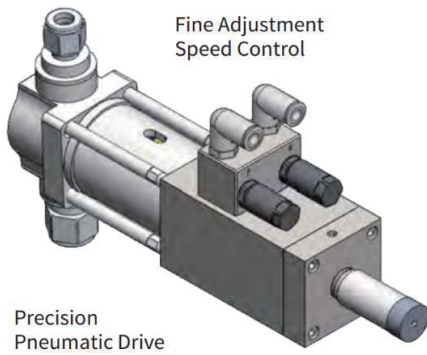




Dispense Volume 0-40ml
Viscosity (Check Valve) Low to Medium (<20,000 cps) Without Particles
Viscosity (Rotary Valve) Medium to High (>20,000 cps) With or Without Particles
Applications Used in the Food, Pharmaceutical, and Cosmetic Industries, the FC Series is easy to take apart and clean.



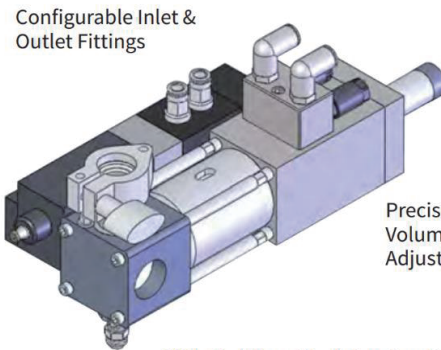
FC SERIES



Fine Adjustment
Speed Control

Precision
Pneumatic Drive

Servo Drive Available



Configurable Inlet &
Outlet Fittings

Precision
Volumetric
Adjustment

Pneumatic or
Servo Drive

Easy Dismantle
Easy Clean

High Accuracy
+/- 0.5% or Better

316L Stainless Steel Construction
Other Materials of Construction
Available

Model		Plunger Diameter		Stroke	Maximum Dispensing Volume (cc)	Cycle Speed (cpm) ^C	Air Consumption scfm (l/min) ^C	Weight lbs (kg) ^C
Pneumatic	Servo	Inch	mm	Inch (mm)				
2BC-FC-12	2SC-FC-12	3/4	19.1	1.0 (25.4)	7.240	0-150 ^A	1.53 (43.3) ^B	7.9 (3.6)
2BC-FC-14	2SC-FC-14	7/8	22.2		9.850			
2BC-FC-17	2SC-FC-17	1-1/16	27.0		14.520			
2BC-FC-20	2SC-FC-20				20.110			
2BC-FC-30	2SC-FC-30	1-1/4	31.8	1.5 (38.1)	30.000	0-125 ^A	2.3 (65.1) ^B	
2BC-FC-40	2SC-FC-40			2.0 (50.8)	40.000		3.07 (86.9) ^B	
2BR-FC-12	2SR-FC-12			3/4	19.1		7.240	
2BR-FC-14	2SR-FC-14	7/8	22.2	9.850				
2BR-FC-17	2SR-FC-17	1-1/16	27.0	14.520				
2BR-FC-20	2SR-FC-20			20.110				
2BR-FC-30	2SR-FC-30	1-1/4	31.8	1.5 (38.1)	30.00	0-100 ^A	2.66 (75.3) ^B	9.5 (4.3)
2BR-FC-40	2SR-FC-40			2.0 (50.8)	40.00		3.43 (97.1) ^B	

^A Maximum cycle rate is application dependant

^B Calculated at full stroke at 100cpm, 75 PSI (5 Bar)

^C Pneumatic Drive Only

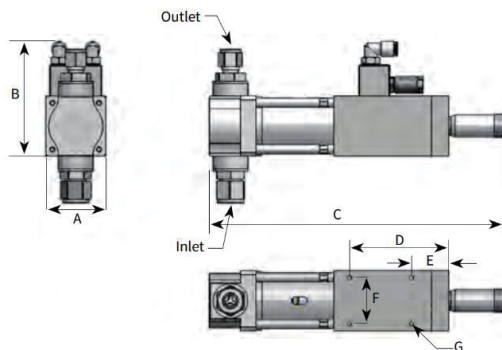


Fittings		
Type	Size	
	Inlet	Outlet
Sanitary	1/2 - 3/4	1/2 - 3/4
Swage	1/8 - 1/2	1/8 - 3/8
Tube	1/8 - 1/2	1/8 - 3/8
Hose	1/2 - 3/4	1/2 - 5/8

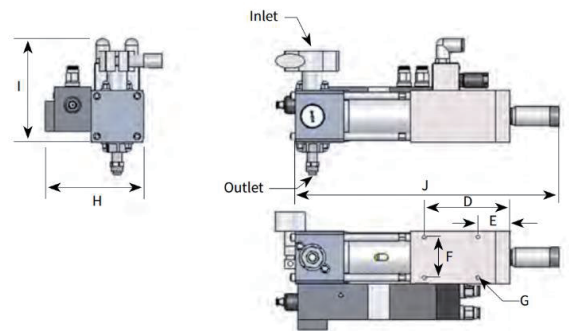
O-rings & U-cups	
O-rings	U-cup Seals
Viton	Teflon
EP	UHMW
Silicon	
Buna	
Perfluor (Kalrez®)	

Units: Inches unless specified

Check Valve



Rotary Valve



Model		External Dimensions Inch (mm)						
Pneumatic	Servo	A	B	C	D	E	F	G
2BC-FC-12	2SC-FC-12	1.94 (49.3)	3.71 (94.2)	10.53 (267.4)	3.2 (81)	1.2 (30)	1.5 (38)	8-32 UNC
2BC-FC-14	2SC-FC-14							
2BC-FC-17	2SC-FC-17							
2BC-FC-20	2SC-FC-20			14.72 (373.9)				
2BC-FC-30	2SC-FC-30			16.18 (411.0)				
2BC-FC-40	2SC-FC-40							
2BR-FC-12	2SR-FC-12	3.66 (93.0)	3.71 (94)	10.84 (275.3)	3.2 (81)	1.2 (30)	1.5 (38)	8-32 UNC
2BR-FC-14	2SR-FC-14							
2BR-FC-17	2SR-FC-17							
2BR-FC-20	2SR-FC-20			15.03 (381.8)				
2BR-FC-30	2SR-FC-30			16.48 (418.6)				
2BR-FC-40	2SR-FC-40							



HIFE SYSTEMS LTD.

Aurora Canada Heidenheim Germany Sorocaba Brazil Ningbo China

Contact Us:

Asia: sales@hife-battery.com – North America: sales.1@hife-canada.com

Europe: sales@hife-europe.com – South America: sales@hife-brasil.com